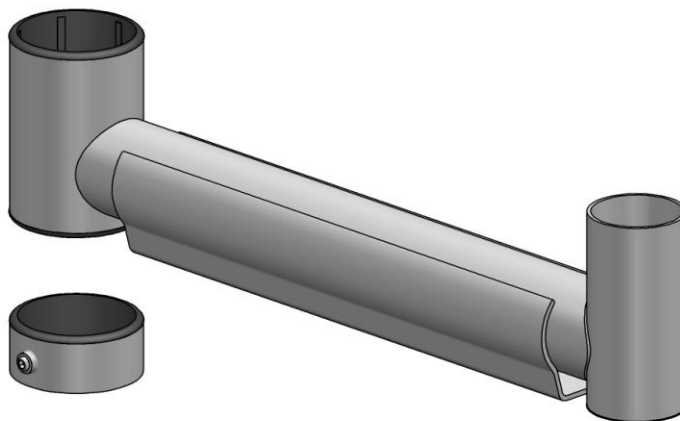


Project Configuration Sheet – SPV2103-nn

Peripheral Arm Swingarm SP2, 300mm with lockring & Cable Clip Version 1.1



Parts List

Part No.	Description	Qty	Assemble	Box
SP2-2101-300	Swingarm SP2, 300mm with 78mm Endpole	1	1	1
SP2-21210	Lockring SP2	1	1	1
SP2-P22700-0230	Cable Clip SP2, 230mm	1	1	1

Installation Guide

MK15-0174

Box 24x packed in Master Box B007

Box Label MK15-0029 – SPV2103-nn – V 1.1 (place on each item)
MK15-0026 – 24x SPV2103-nn, Peripheral Arm – Swingarm SP2, 300mm with Lockring & Cable Clip - V 1.1

Colour	<nn>	01	Light Grey
		02	Black
		03	Silver
		04	Pearl
		05	Iron Grey